

HISTORIC AMERICAN ENGINEERING RECORD

INDEX TO PHOTOGRAPHS

CAPE CANAVERAL AIR FORCE STATION, LAUNCH COMPLEX 39,
ORBITER PAYLOAD CANISTERS
(John F. Kennedy Space Center)
Cape Canaveral
Brevard County
Florida

HAER FL-8-11-I

INDEX TO BLACK AND WHITE PHOTOGRAPHS

David Diener, photographer, August 2010

FL-8-11-I-1	EXTERIOR VIEW OF CANISTER 1 IN KENNEDY SPACE CENTER INDUSTRIAL AREA, STARBOARD ELEVATION, SHOWING CANISTER ROTATION FACILITY AT RIGHT, VIEW TO SOUTH.
FL-8-11-I-2	EXTERIOR VIEW OF CANISTER 1 IN KENNEDY SPACE CENTER INDUSTRIAL AREA, PORT ELEVATION, SHOWING CANISTER ROTATION FACILITY AT LEFT, VIEW TO NORTH.
FL-8-11-I-3	EXTERIOR VIEW OF CANISTER 1 IN KENNEDY SPACE CENTER INDUSTRIAL AREA, AFT ELEVATION, SHOWING CANISTER ROTATION FACILITY TO THE REAR, VIEW TO WEST.
FL-8-11-I-4	ZENITH OF CANISTER 1, CANISTER ROTATION FACILITY HIGH BAY.
FL-8-11-I-5	ZENITH AND PORT SIDE OF CANISTER 1, OBLIQUE VIEW, SHOWING DOOR SEAL AND RAIN COVER ATTACHMENT POINTS.
FL-8-11-I-6	FORWARD ELEVATION OF CANISTER 1, CANISTER ROTATION FACILITY HIGH BAY, SHOWING FORWARD PERSONNEL DOOR, ACCESS DOOR, CAGED LADDER, SAFETY HARNESS ATTACHMENTS, AND NON-SKID SURFACE.
FL-8-11-I-7	AFT ELEVATION OF CANISTER 1, CANISTER ROTATION FACILITY HIGH BAY, SHOWING FORWARD END OF TRANSPORTER 1 WITH ENVIRONMENTAL CONTROL SYSTEM (ECS) AND TAIL DOOR ACCESS PANEL.
FL-8-11-I-8	FORWARD AND STARBOARD SIDE OBLIQUE VIEW OF CANISTER 1, SHOWING FORWARD LIFTING TRUNNION, OUTRIGGER, AND LOWER DOOR HINGE COVERS.

CAPE CANAVERAL AIR FORCE STATION, LAUNCH COMPLEX 39, ORBITER PAYLOAD

HAER FL-8-11-I
INDEX TO PHOTOGRAPHS

- FL-8-11-I-9 FORWARD AND PORT SIDE OBLIQUE VIEW OF CANISTER 1, SHOWING FORWARD LIFTING TRUNNION, OUTRIGGER, AND LOWER DOOR HINGE COVERS.
- FL-8-11-I-10 NADIR, BOTTOM, VIEW OF CANISTER 2 IN THE MAINTENANCE HIGH BAY OF THE CANISTER ROTATION FACILITY (CRF). SHOWS SMALL DRAIN PLUGS.
- FL-8-11-I-11 CANISTER 2 WITH DOORS OPEN PHOTOGRAPHED FROM AFT TO FORWARD. SHOWS TAIL FIN DOOR CONTROL PANEL, DUCTWORK ALONG TOP OF DOORS, ACCESS LADDERS, AND FORWARD PERSONNEL DOOR.
- FL-8-11-I-12 INTERIOR VIEW OF CANISTER 2 FROM AFT TO FORWARD. SHOWING RETURN VENTS AND KEEL TRUNNION SUPPORT RAILS.
- FL-8-11-I-13 INTERIOR VIEW OF CANISTER 2 FROM FORWARD TO AFT. SHOWING HYPERGOL SENSOR AND PAYLOAD INTERFACE PANELS.
- FL-8-11-I-14 PORT SIDE PERSONNEL DOOR OF CANISTER 2 VIEWED FROM INSIDE. SHOWING ENVIRONMENTAL CONTROL SYSTEM (ECS) TUBE LEADING INTO ACCESS AREA BELOW PAYLOAD BAY.
- FL-8-11-I-15 CANISTER 2 PAYLOAD INTERFACE PANEL E ON INTERIOR STARBOARD SIDE. AMMONIA SENSOR IS VISIBLE ABOVE PANEL E.
- FL-8-11-I-16 VIEW FROM INTERIOR OF CANISTER 2 LOOKING UP TO A PAYLOAD FITTING TRUNNION ATTACHMENT ON THE STARBOARD SIDE.
- FL-8-11-I-17 STARBOARD DOOR ACTUATOR PNEUMATIC DRIVE ON CANISTER 1.
- FL-8-11-I-18 PORT SIDE OF CANISTER 2 WITH DOORS OPEN, SHOWING DOOR ACTUATOR SCREW JACK, DOOR ACTUATOR IN RETRACTED POSITION, ACCESS PLATFORM, AND ACCESS LADDER.
- FL-8-11-I-19 OBLIQUE VIEW OF CANISTER 2, PORT SIDE, SHOWING DOOR ACTUATORS, SCREW JACKS AND DOOR ACTUATOR PNEUMATIC DRIVE WITH DOORS IN OPEN POSITION.
- FL-8-11-I-20 DETAIL OF CLOSED PERSONNEL DOOR ON THE PORT SIDE OF CANISTER 1. SHOWS AFT LIFTING TRUNNION, ENVIRONMENTAL CONTROL SYSTEM (ECS) SUPPLY DUCT ATTACHMENT, ECS RETURN DUCT ATTACHMENT, AND PNEUMATIC INTERFACE PANEL.

CAPE CANAVERAL AIR FORCE STATION, LAUNCH COMPLEX 39, ORBITER PAYLOAD
HAER FL-8-11-I
INDEX TO PHOTOGRAPHS

FL-8-11-I-21 DETAIL OF EXTENDED STARBOARD OUTRIGGER ON CANISTER
1. SHOWS FORWARD LIFTING TRUNNION.

FL-8-11-I-22 DETAIL VIEW OF STARBOARD SIDE INSTRUMENTATION &
COMMUNICATION SYSTEM (I&CS) INTERFACE PANEL OF
CANISTER 2. SHOWN WITH THE DOOR IN THE OPEN POSITION.

FL-8-11-I-23 CANISTER ENVIRONMENTAL CONTROL SYSTEM (ECS)
CONTROLS ON THE FORWARD END OF TRANSPORTER 1.

FL-8-11-I-24 CONTROLS FOR CANISTER 1 INSTRUMENTATION &
COMMUNICATION SYSTEM (I&CS) AND FLUIDS & GASES
SYSTEM (F&GS) ON AFT OF TRANSPORTER 1. STARBOARD
OBLIQUE VIEW FROM THE AFT OF CANISTER 1.

FL-8-11-I-25 ZENITH OF TRANSPORTER 2, UNMATED FROM CANISTER 2.
VIEW FROM AFT TO FORWARD.

FL-8-11-I-26 Photocopy of engineering drawing (8" x 10" photo of scanned original;
February 13, 1978 engineering drawing by K. Niranda; drawing in
possession of Kennedy Space Center): "ORBITER PAYLOAD
CANISTER COVER SHEET."

FL-8-11-I-27 Photocopy of engineering drawing (8" x 10" photo of scanned original;
January 17, 1978 engineering drawing by A. L. Allen; drawing in
possession of Kennedy Space Center): "ORBITER PAYLOAD
CANISTER ELEVATIONS."

FL-8-11-I-28 Photocopy of engineering drawing (8" x 10" photo of scanned original;
January 17, 1978, engineering drawing by A. L. Allen; drawing in
possession of Kennedy Space Center): "ORBITER PAYLOAD
CANISTER PLAN & ELEVATIONS."

FL-8-11-I-29 Photocopy of engineering drawing (8" x 10" photo of scanned original;
March 27, 1976 engineering drawing by L. Brickly; drawing in
possession of Kennedy Space Center): "PAYLOAD CANISTER
STANDARD INTERFACE DOCUMENT."

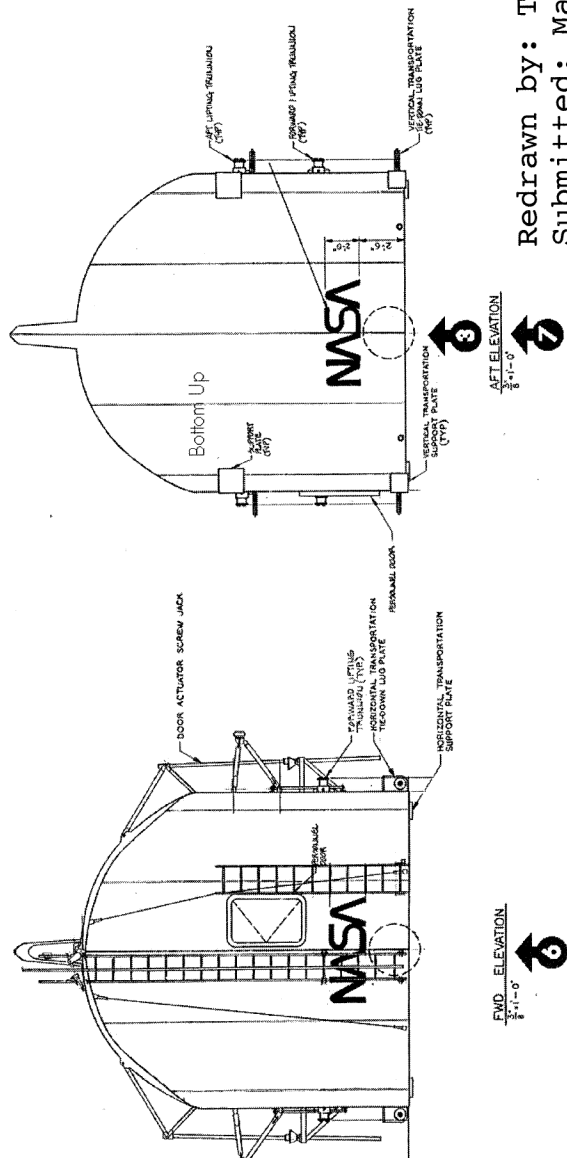
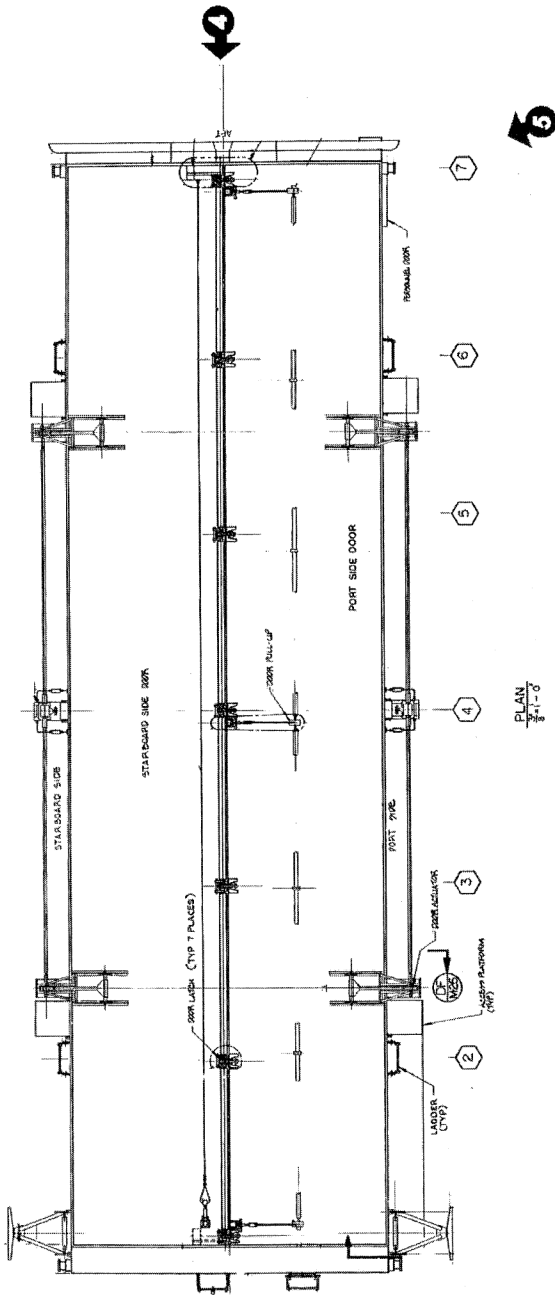
FL-8-11-I-30 Photocopy of engineering drawing (8" x 10" photo of scanned original;
October 4, 1977 engineering drawing by A. L. Allen; drawing in
possession of Kennedy Space Center): "ORBITER PAYLOAD
CANISTER SECTIONS."

FL-8-11-I-31 Photocopy of engineering drawing (8" x 10" photo of scanned original;
December 13, 1977 engineering drawing by J. Magee; drawing in
possession of Kennedy Space Center): "ORBITER PAYLOAD
CANISTER DOOR ACTUATION SYSTEM ASSEMBLY & DETAILS."

CAPE CANAVERAL AIR FORCE STATION, LAUNCH COMPLEX 39, ORBITER PAYLOAD
HAER FL-8-11-I
INDEX TO PHOTOGRAPHS

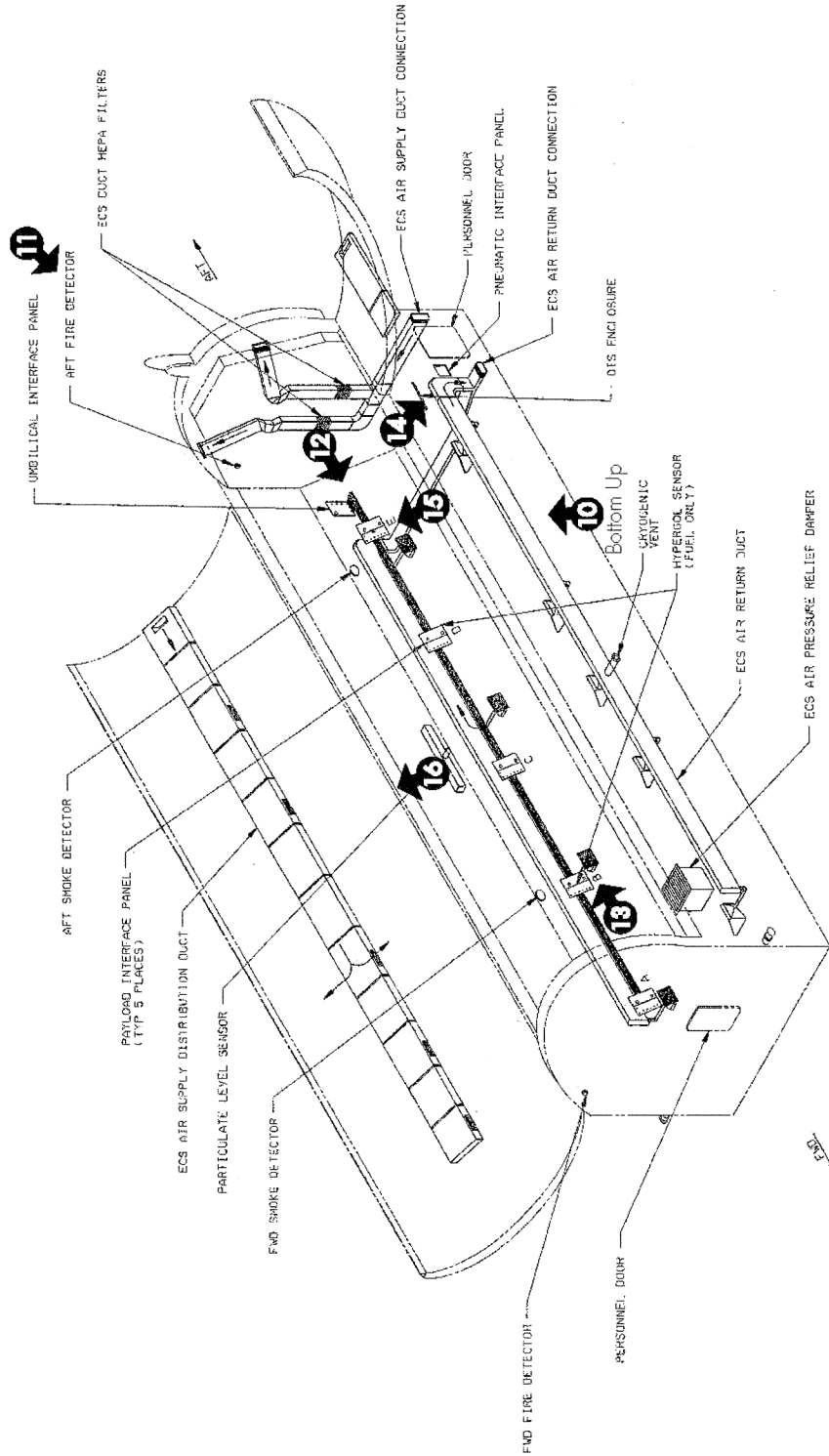
- FL-8-11-I-32 Photocopy of engineering drawing (8" x 10" photo of scanned original; December 2, 1977 engineering drawing by Teileira; drawing in possession of Kennedy Space Center): "ORBITER PAYLOAD CANISTER DOOR LATCH MECHANISM."
- FL-8-11-I-33 Photocopy of engineering drawing (8" x 10" photo of scanned original; September 17, 2003 engineering drawing by S. Strickland; drawing in possession of Kennedy Space Center): "CANISTER PAYLOAD FOOTING ASSEMBLY VERTICAL CONFIGURATION."
- FL-8-11-I-34 Photocopy of engineering drawing (8" x 10" photo of scanned original; September 17, 2003 engineering drawing by S. Strickland; drawing in possession of Kennedy Space Center): "CANISTER PAYLOAD FITTING ASSEMBLY HORIZONTAL CONFIGURATION."
- FL-8-11-I-35 Photocopy of engineering drawing (8" x 10" photo of scanned original; December 8, 1977 engineering drawing by R. Smith; drawing in possession of Kennedy Space Center): "ORBITER . PAYLOAD CANISTER OUTRIGGER ASSEMBLY."
- FL-8-11-I-36 Photocopy of engineering drawing (8" x 10" photo of scanned original; December 7, 1994 engineering drawing by G. Barrett; drawing in possession of Kennedy Space Center): "PAYLOAD CANISTER TRANSPORTER ELEVATION/PAYLOAD CANISTER TRANSPORTER INSTALLATION."
- FL-8-11-I-37 Photocopy of engineering drawing (8" x 10" photo of scanned original; December 8, 1998 engineering drawing by Koehler; drawing in possession of Kennedy Space Center): "PAYLOAD CANISTER TRANSPORTER."

CAPE CANAVERAL AIR FORCE STATION,
 LAUNCH COMPLEX 39,
 ORBITER PAYLOAD CANISTERS
 HAER No. FL-8-11-I
 INDEX TO PHOTOGRAPHS



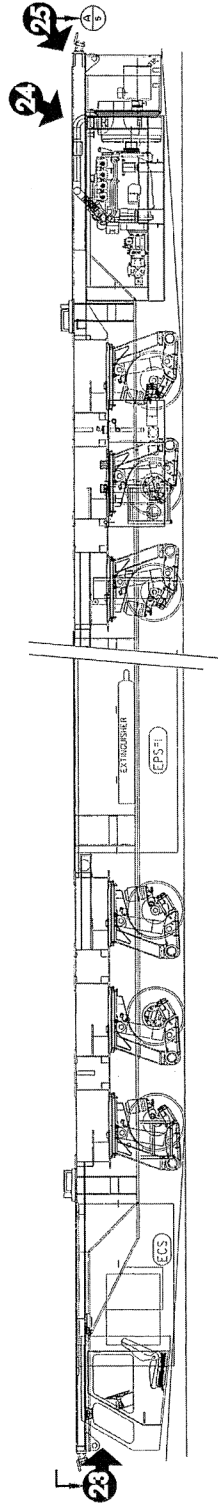
Redrawn by: Tom Quinn
 Submitted: May 2011

CAPE CANAVERAL AIR FORCE STATION,
 LAUNCH COMPLEX 39,
 ORBITER PAYLOAD CANISTERS
 HAER No. FL-8-11-I
 INDEX TO PHOTOGRAPHS



Redrawn by: Tom Quinn
 Submitted: May 2011

CAPE CANAVERAL AIR FORCE STATION,
LAUNCH COMPLEX 39,
ORBITER PAYLOAD CANISTERS
HAER No. FL-8-11-I
INDEX TO PHOTOGRAPHS



Port Side Elevation

CANISTER TRANSPORTER
ELEVATION VIEW, SIDE 81

Redrawn by: Tom Quinn
Submitted: May 2011